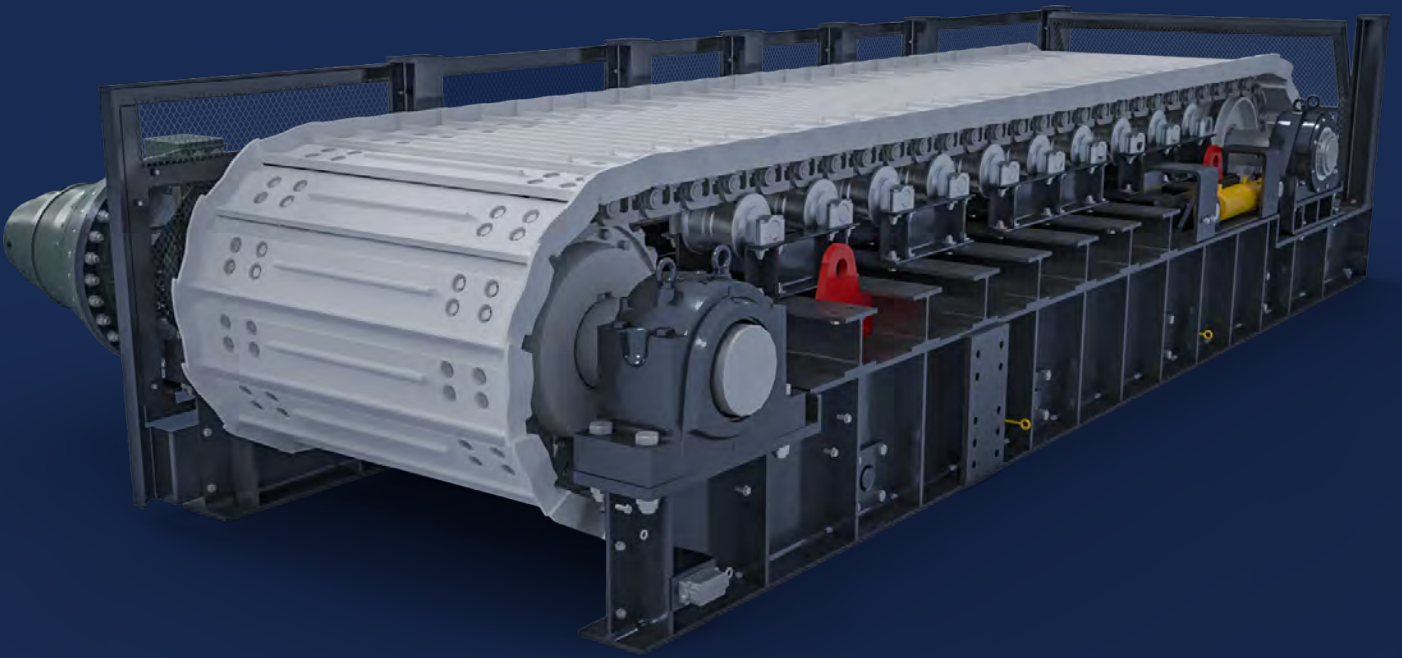


MAF SERIES

APRON FEEDERS

For the Toughest Working Conditions



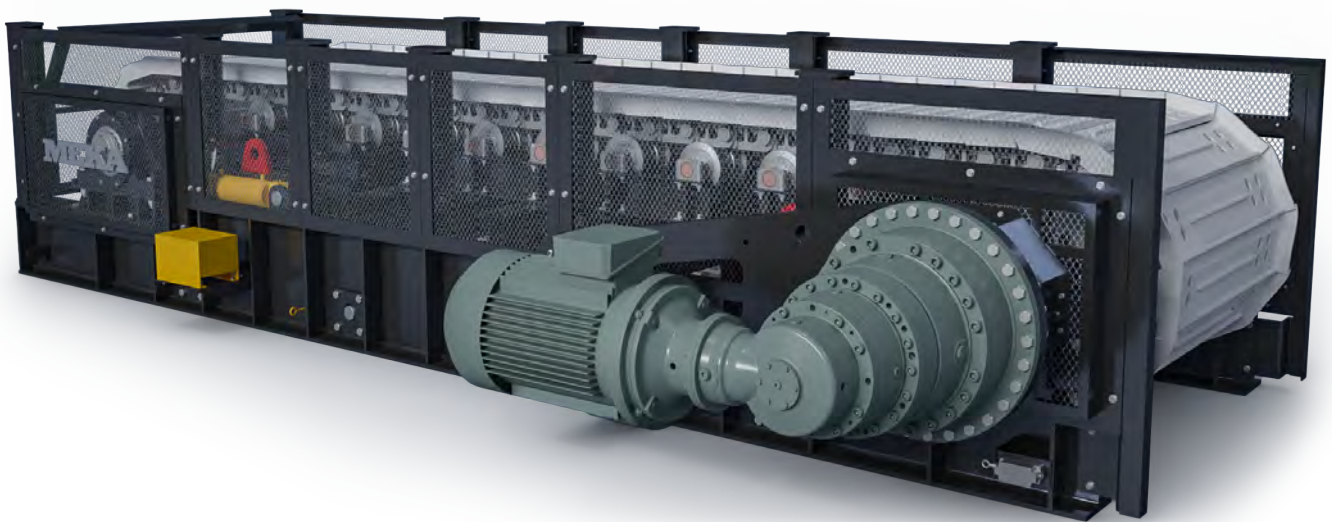
MEKA

www.mekaglobal.com

UNPARALLELED PERFORMANCE IN FEEDING CHALLENGING MATERIALS

MEKA Apron Feeders are built to operate in heavy-duty conditions and are indispensable when the material to be crushed is moist, sticky or contains clay.

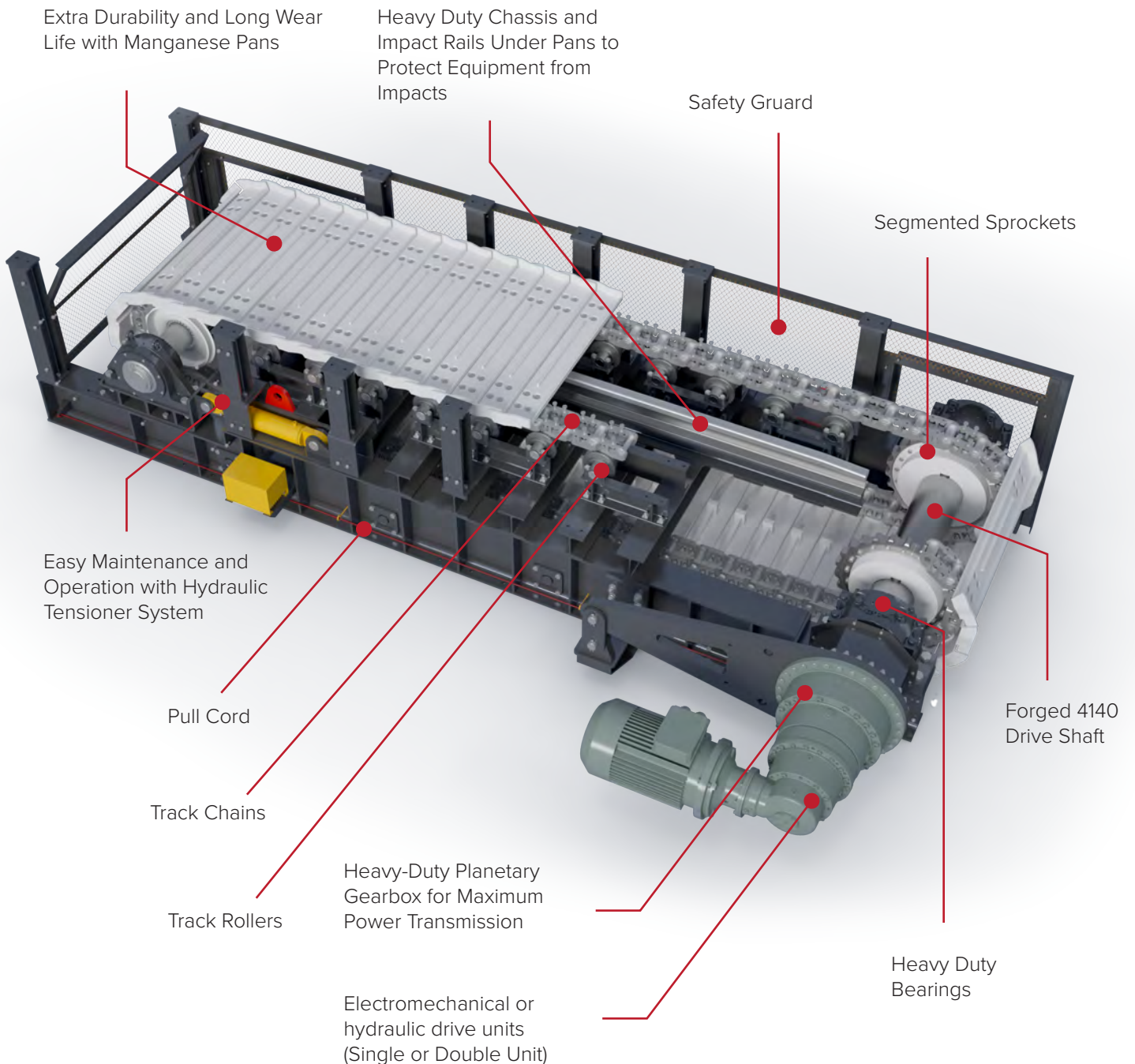
MEKA Apron Feeders are designed for demanding material handling operations in mining, ore, coal and aggregate production and offer a solution beyond your expectations with a heavy-duty chassis, drive unit, track and chain system to ensure an extremely long service life.



GENERAL APPLICATION AREAS

- Open-cast and underground mining operations
- Aggregate plants
- Power plants
- Cement plants
- Fertilizer plants
- Quarries
- Mineral processing plants

READY FOR THE HEAVIEST WORKLOADS WITH EVERY DETAIL





DESIGNED FOR DURABILITY AND LONGEVITY

MEKA MAF Series Apron Feeders use heavy-duty track system, rollers and chains, high-strength fabricated chassis and steel shafts.

In short, all components in our MAF Series

apron feeders are of the highest quality. Because for the continuity of your operations and your profit, we aimed to ensure that our feeders require low maintenance and uninterrupted operation even under the harshest conditions.



STANDARD DIMENSIONS AND TECHNICAL SPECIFICATIONS

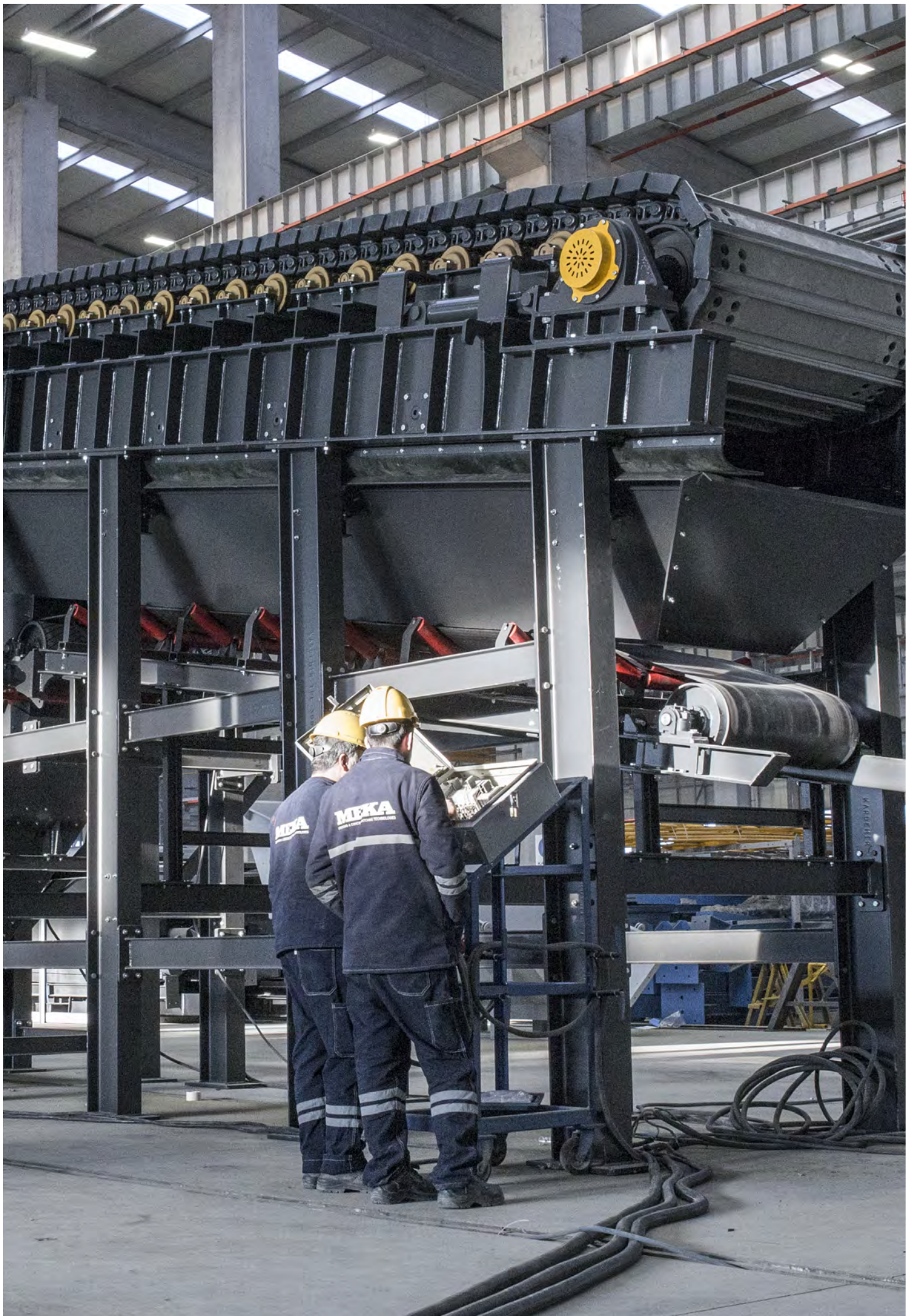
| | | | | | |
|----------------------|------------------------|---------------------|----------------------|----------------------|--------------|
| Width | 900 3 | 1200 4 | 1500 5 | 1800 6 | mm ft |
| Capacity | 110 - 350 121 - 385 | 230-680 253-749 | 350-1100 385-1212 | 600-1750 661-1929 | mtph stph |
| Maximum Feeding Size | 380 15 | 520 20 | 650 26 | 830 32 | mm inch |
| Chain Speed | 0,1 - 0,30 20 - 60 | 0,1 - 0,30 20-60 | 0,1 - 0,30 20-60 | 0,1 - 0,30 20-60 | m/s fpm |

MEKA has the capability to design and manufacture apron feeders outside standard dimensions from 900mm to 3200 mm in width and from 2.7 meters to 18 meters in length.

0° Ability to work with parallel placement or angled placement to the floor.

18° Up to 18 degree angle for regular feeding.





APRON FEEDER DESIGN PARAMETERS

In order for MEKA R&D engineers to design and offer you the most suitable MAF Series Apron Feeder, we will be requesting or determining the following

crucial information (data) from you during the quotation and ordering process.

Feeding Capacity (tons/hour) Maximum

Feeding Capacity (tons/hour)

D Bed Height (mm) (mm)

Ls Cutting Layer Length (mm)

L Apron Length (mm)

W Apron Pallet Width (mm)

Material Bulk Density (t/m³)

Maximum Material Size (mm)

a Apron Working Angle

Drive Type

Electric Motor Hydraulic Motor

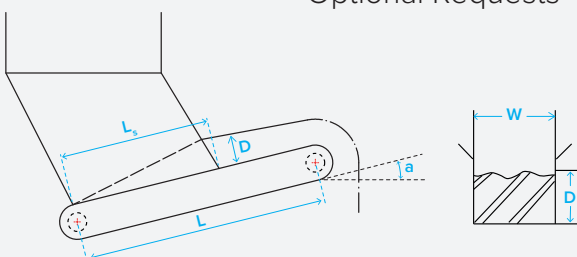
Power Supply Information

Voltage: Phase: Hertz:

Optional Requests

Hopper _____ m³ Hopper Volume

Bottom Chute Bottom Conveyor



THE CHOICE OF PROFESSIONALS IN MORE THAN 100 COUNTRIES: MEKA

MEKA has a global capacity with more than 80 engineers, nearly 500 employees and experience of producing more than 4000 complete plants. With 5 separate production facilities and a worldwide service network, it is a reliable manufacturer.

With its after-sales service network and strong infrastructure in spare parts, MEKA does not only produce equipment or plants, but also offers you the comfort of predictable production and uninterrupted earnings.



MEKA

www.mekaglobal.com