

The Choice of Professionals in More Than 60 Countries



# MEKA CONCRETE MIXERS

*Single Shaft • Twin Shaft • Planetary Concrete Mixers*





# ABOUT MEKA



Homogenous mixing of aggregates, cement, water, additives and other components is one of the most important steps in concrete manufacturing.

High quality fresh concrete with very important properties such as high homogeneity, desired slump, appropriate consistency and easy pouring can only be obtained with the help of a high quality concrete mixer, which is the heart of the concrete plant. Meka concrete mixers which are well-known for their durability offer long term high performance output while providing the best homogeneity within the shortest period of time.

Our more than 28 years of experience in the construction machinery industry has played a key role in the success of MEKA concrete mixers as well as the continued efforts of our 300 employees working in a 50.000m<sup>2</sup> production facility.

Keeping up with the latest technology, MEKA concrete mixers have proven to be high quality, robust and reliable. Our experienced team is committed to full customer satisfaction in all aspects of our business, including procurement, manufacturing, sales and after-sales services.

To top up our standard range of single shaft, twin shaft and planetary type mixers, we also provide special designs for special requirements. MEKA has become the preferred choice of both end-users and batching plant OEMs worldwide.





# THE CHOICE OF PROFESSIONALS



With the benefits of mass production's low costs along with the high quality manufacturing process and long term spare part guarantee MEKA concrete mixers are holding a significant market share on both local and worldwide markets.

Concrete batching plants of the world's leading ready-mix and construction companies are powered up by MEKA concrete mixers.

Furnishing its customers with information before sales, conducting a need analysis and after-sales support are all the services given within the framework of the principle of perfection, thus making MEKA the "reliable partner" of its customers.





# WHY MEKA CONCRETE MIXERS?

**Wide After-Sales Network:** We are always around to support our equipment with our regional offices, dealers and spare part warehouses worldwide.

**A Reliable Partner:** Many of the World's leading professional contractors, construction companies and cement manufacturers, prefer MEKA. MEKA has become a leading supplier for a number of major projects around the world and has proven to be an industry leader in the Turnkey supply and manufacture of high quality and reliable concrete production equipment

**Approved Quality:** All MEKA products and manufacturing processes are compliant with the quality requirements of ISO 9001, ISO XXXX, CE norms, GOST-R standards and XXX.

**High Precision Machinery:** The use of technologically advanced CNC boring equipment ensures all MEKA mixer structures are perfectly aligned to ensure the parallelism of the mixing shafts.

**3D Solid Modelling and Testing:** All MEKA products are designed and tested in parametric 3-dimensional space prior to manufacture, to eliminate any potential faults.

**Perfect Water Distribution:** Water distribution pipes allow perfect water distribution within the mixer to ensure fast and homogeneous mixing in less than 30 seconds.

**Project Support:** Not sure, if our equipment fits? Let us offer you a complete solution. Our project team will be happy to create unique solutions for different applications.

**Drivetrain to Last:** High quality motors and gear-boxes from the best manufacturers with perfectly chosen RPM's, to lower energy consumption and provide a long lasting service life of our mixers.

**Wide Range:** With a wide range of different types of mixers and capacities, we have a solution for every application.



# ADVANTAGES OF MEKA CONCRETE MIXERS

**Heavy and Robust:** MEKA Twin-Shaft concrete mixers offer long life, as they are 5-10% heavier than most of their equivalents on the market today, due to their robust steel structure and thick interior abrasion proof linings.

**Ni-Hard is the key:** We offer NI-HARD alloy cast wearing linings in our Twin-Shaft Mixers as standard. This particular alloy is well known for its abrasion resistance and is used in a variety of different applications, such as concrete mixing, coal and other mineral grinding, slurry pump manufacturing, concrete pumping, piston manufacturing, gears manufacturing and many others. Despite being more expensive at the outset, Ni-hard out performs Hardox in terms of abrasion resistance and overall operating costs, as NI-HARD is proven to have up to 3 times the wear life of Hardox materials.

**Why using Ni-Hard?:** The Surface rigidity of Hardox materials is only approximately 3mm deep, therefore the abrasion resistance decrease rapidly, as the plates begin to wear. Unlike Hardox, the rigidity of NI-HARD materials are identical through every section and layer, therefore, abrasion rates do not vary, as the plates begin to wear and subject to the rigidity of the aggregates used, the life expectancy of the Ni-Hard mixer wear parts, can reach a production capacity of up to 1,000,000 m<sup>3</sup>.

**Unique paddle structure:** The Twin-Shaft Mixer paddle structure has been specifically designed for strength and abrasion resistance. Each Pallet group has been reinforced against failure, and the concave structure, improves life expectancy. The design and quality of our mixer paddle structures, are market leading and the quality is often compared to many German products on the market today. The life expectancy of the mixing group, is equal to the abrasion proof liners and cast thickness of the mixer structure, therefore, the life expectancy of MEKA equipment is more than often, in excess of many of our competitors. MEKA Twin-Shaft mixers are capable of blending materials with particle sizes of up to 150mm in diameter. The paddle angle of 45° also means it can withstand higher loads, therefore it is capable of mixing zero slump concretes, RCC mixes and all types of ready mixed concrete mixtures.





**Unique bearing and seal design:** The specially designed Bearing and Twin-Shaft Mixer seal group, consists of a numbers of metallic and polyurethane components. The bearings are place on the outside of the mixer in the specially designed housing, which prevents the ingress of cementitious grouts, if a seal failure should occur, therefore, with the correct routine maintenance, the life expectancy of each bearing can exceed 500,000m<sup>3</sup> of production. The Labyrinth seal structure, encapsulates the grease, provided by the automated greasing system, to create a seal, preventing the grout from penetrating the bearing.

**Perfect lubrication system:** The Centralized automatic lubrication system, continuously supplies the mixer labyrinth seals, with sensors on each seal, to ensure, you are informed of a failure, before it is too late.

**In RCC grain size matters:** Twin-Shaft Mixers have maximum workable particle size of approximately 50mm, where as a single-shaft mixer can process materials containing particles up to 70mm in diameter and twin-shift mixers up to 150mm in diameter.

Briefly MEKA Mixers;

- Reliable
- Affordable
- High Performance
- Efficient
- Durable
- Improved Life Expectancy
- More than 1700 mixers operating in over 70 different countries worldwide.
- Mix all types of Concretes

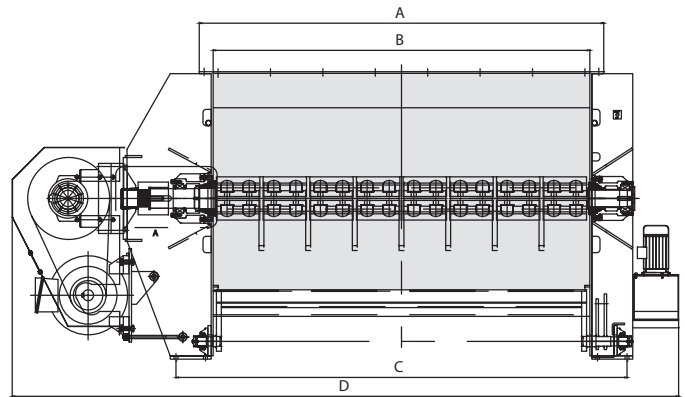
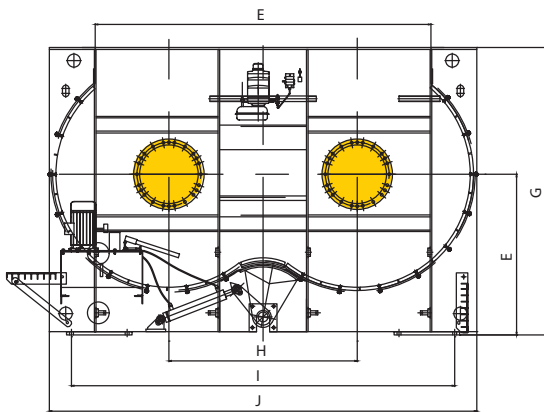


# MEKA TWIN-SHAFT CONCRETE MIXERS

1 - 2 - 3 - 4,5 - 6 m<sup>3</sup>

Achieving the desired homogeneity and workability of modern concrete mixtures, within the shortest period possible, is often the most critical phase of concrete production, therefore, the need for reliable, high quality mixing equipment is essential. With each and every MEKA Concrete Plant, a MEKA Twinshaft Concrete Mixer is at its heart, which is a combination you can always rely on. MEKA offers an extensive range of high performance concrete mixers – Single-Shaft, Twin-Shaft, Planetary or Pan with variety of different capacities, ensuring we comply with every concrete mixing requirement. MEKA Twin-Shaft concrete mixers have proven to be reliable and built to the highest quality, resulting in MEKA equipment being the choice of many professionals, in over 70 countries around the world.





DIMENSIONS		1000	2000	3000	4500
Dimension A	mm	1500	1900	2470	2680
Dimension B	mm	1340	1730	2300	2500
Dimension C	mm	1720	2172	2754	2970
Dimension D	mm	2938	3358	4070	4365
Dimension E	mm	1554	1840	2050	2272
Dimension F	mm	810	940	980	1070
Dimension G	mm	1460	1675	1755	1940
Dimension H	mm	860	1020	1150	1260
Dimension I	mm	1910	2180	2340	2160
Dimension J	mm	1970	2320	2610	2860

TYPE	DIM.	MB-T1000	MB-T2000	MB-T3000	MB-T4500
COMPACTED CONCRETE CAPACITY	m <sup>3</sup>	1	2	3	4,5
LOADING CAPACITY	m <sup>3</sup>	1,5	3	4,5	6,75
MOTOR OUTPUT	kW	2x18,5	2x37	2x55	2x90
GEARBOX		BONFIGLIOLI	BONFIGLIOLI	BONFIGLIOLI	BONFIGLIOLI
SIDE BODY WEARING PLATES		20mm ST52	20mm ST52	20mm ST52	20mm ST52
MAIN BODY WEARING PLATES		20mm NI-HARD 400	20mm NI-HARD 400	20mm NI-HARD 400	20mm NI-HARD 400
MIXING ARM WEARING PLATES		30mm NI-HARD 400	30mm NI-HARD 400	30mm NI-HARD 400	30mm NI-HARD 400
Automatic Lubrication System		AVAILABLE	AVAILABLE	AVAILABLE	AVAILABLE
Water Distributor		AVAILABLE	AVAILABLE	AVAILABLE	AVAILABLE
Hydraulic Discharge Door		AVAILABLE	AVAILABLE	AVAILABLE	AVAILABLE
Maintenance Door Safety Switch		AVAILABLE	AVAILABLE	AVAILABLE	AVAILABLE



# MEKA SINGLE-SHAFT CONCRETE MIXERS

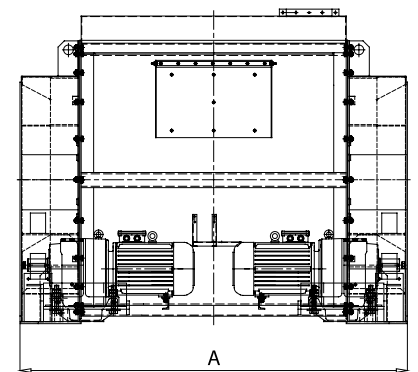
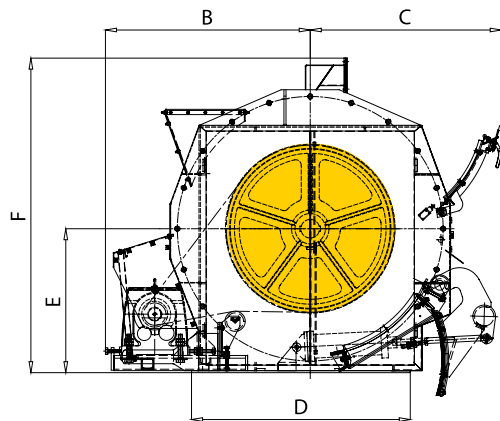
0,5 - 1 - 2 m<sup>3</sup>

MEKA single shaft mixers, with their compact structure and heavy duty spiral shaped mixing arms, have an extended service life. The mixer also provides fast mixing in addition to its practical and easy feeding capability.

Single shaft mixers are easy to operate and have a long service life due to their compact structure and durable spiral shaped mixing arms. They also provide fast mixing and easy loading.

Through the sensor on the distribution block, the automatic lubrication system is able to detect if the lubrication is sufficient or not and will send a signal to the computer screen in case of insufficient lubrication.





DIMENSIONS		MB-S 500	MB-S 1000	MB-S 2000
Dimension A	mm	1671	2260	2794
Dimension B	mm	1330	1717	2057
Dimension C	mm	1721	2229	2245
Dimension D	mm	650	920	1045
Dimension E	mm	1300	1556	1914
Dimension F	mm	1150	1428	1804

TYPE	DIM.	MB-S500	MB-S1000	MB-S2000
COMPACTED CONCRETE CAPACITY	m <sup>3</sup>	0,5	1	2
LOADING CAPACITY	m <sup>3</sup>	0,75	1,5	3
MOTOR OUTPUT	kW	18,5	37	2x37
SIDE BODY WEARING PLATES		10mm ST52	15mm ST52	15mm ST52
MAIN BODY WEARING PLATES		15mm NI-HARD	15mm NI-HARD	20mm NI-HARD
MIXING ARM WEARING PLATES		25mm NI-HARD	25mm NI-HARD	30mm NI-HARD
Automatic Lubrication System		BEKA-MAX	BEKA-MAX	BEKA-MAX
Water Distributor		AVAILABLE	AVAILABLE	AVAILABLE
Pneumatic Discharge Door		AVAILABLE	AVAILABLE	AVAILABLE
Maintenance Door Safety Switch		AVAILABLE	AVAILABLE	AVAILABLE



# MEKA PLANETARY CONCRETE MIXERS

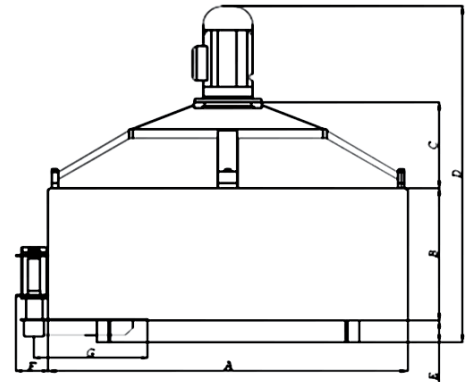
0,33 - 0,5 - 1 - 2 m<sup>3</sup>

Offering unmatched mixing homogeneity, MEKA planetary mixers are designed to meet the high quality concrete demands of customers involved in special applications such as precast or low slump concrete.

High Quality Motors, Long Lifetime of Bearings,  
Precast and Readymix Applications.

Through the sensor on the distribution block, the automatic lubrication system is able to detect if the lubrication is sufficient or not and will send a signal to the computer screen in case of insufficient lubrication.





DIMENSIONS		MB-P333	MB-P500	MB-P1000	MB-P1500	MB-P2000
Dimension A	mm	1632	1900	2400	2820	2890
Dimension B	mm	655	757	800	810	1000
Dimension C	mm	497	488	714	867	897
Dimension D	mm	1787	1914	2354	2715	2930
Dimension E	mm	100	120	160	220	220
Dimension F	mm	165	170	180	210	210
Dimension G	mm	544	600	665	810	880

TYPE	DIM.	MB-P333	MB-P500	MB-P1000	MB-P1500	MB-P2000
COMPACTED CONCRETE CAPACITY	m <sup>3</sup>	0,33	0,5	1	1,5	2
LOADING CAPACITY	m <sup>3</sup>	0,5	0,75	1,5	2,25	3
MIXER POWER	kW	15	18,5	45	75	90
GEARBOX		MEKA	MEKA	MEKA	MEKA	COBRA
SIDE BODY WEARING PLATES		10mm ST52				
BOTTOM WEARING PLATES		12mm HARDOX 500				
MIXING ARM WEARING PLATES		20 mm NI-HARD 400				
No. of Stars x No of Blade on Each Star		1x2	1x2	2x2	2x2	2x3
Hydraulic Discharge Door		AVAILABLE	AVAILABLE	AVAILABLE	AVAILABLE	AVAILABLE



CONCRETE MIXERS / CONCRETE PLANTS  
[www.mekaconcreteplants.com](http://www.mekaconcreteplants.com)

CRUSHING - SCREENING TECHNOLOGIES  
[www.mekacrushers.com](http://www.mekacrushers.com)

# **MIEKA**

## CRUSHING & CONCRETE BATCHING TECHNOLOGIES

HEAD OFFICE

Çamlıca Mh. Anadolu Bl. 15. Sokak Atlas İş Merkezi

No: 5/9, 06200 Gimat, ANKARA / TURKEY

Tel: +90 312 397 91 33 (pbx) • Fax: +90 312 397 10 34

[sales@meka.com.tr](mailto:sales@meka.com.tr)